

# ONE SIMPLE PLAN.

---

Comprehensive coverage for  
every piece of equipment.





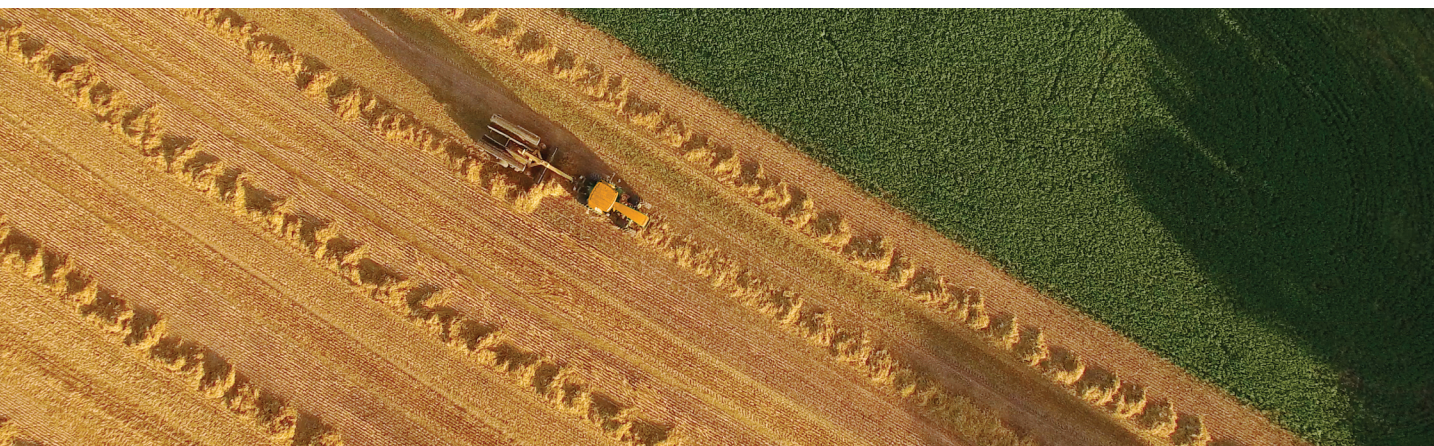
## **A SMALL INVESTMENT FOR VALUABLE COVERAGE AND PEACE OF MIND**

For over 50 years, farmers have counted on the Cenex Total Protection Plan® for unsurpassed coverage and to help ensure that only high-quality energy products go into their valuable equipment.

Think of it as a comprehensive policy — one that helps keep you in the field when you need to be there. There's no deductible or operator burden of proof, which can really pay off and help keep things moving during crunch times like planting and harvest. It's simply the industry's best risk management tool for your operation.

Use Cenex® Ruby Fieldmaster® Premium Diesel Fuels and Cenex® lubricants together and get up to 10 years or 10,000 hours of engine and transmission coverage. You also have the option of using Maxtron® lubricants exclusively — with any fuel you choose — for excellent coverage of crucial equipment.

Whether you buy new or used equipment, you simply won't find a better way to protect a wide variety of equipment under one plan.



## A PROTECTION PLAN LIKE NO OTHER.

- Covers new equipment for up to 10 years or 10,000 hours and used equipment for up to 8 years or 8,000 hours
- Extends protection above and beyond the original equipment manufacturers' warranties
- Provides comprehensive protection for just \$299 (new equipment) or \$399 (used equipment)
- Covers thousands of pieces of equipment
- Has no deductible
- Includes periodic maintenance reminders to help keep your equipment in top condition
- Helps avoid downtime through LubeScan® oil analysis fluid sample reports that provide insight into internal equipment condition
- No-cost transfers to purchasers of your equipment
- Earns you \$200 in Cenex® products upon enrollment

## THE PLAN IS SIMPLE.

*Here's how to enroll:*

1. Enroll equipment by downloading the application available at [cenex.com/tpp](http://cenex.com/tpp) or using the application available in this folder.
2. Submit the completed form with enrollment fee for approval.
3. Use approved fluids (exclusively Cenex® products), filters and additives, and perform required LubeScan® oil analysis sampling.
4. Submit a sample from each fluid change or drain to LubeScan. Use the report to help perform timely maintenance and avoid downtime.
5. Retain proofs-of-purchase for all Cenex products.
6. Avoid actions, such as equipment abuse or unauthorized product use, which could void coverage.
7. Follow the 5 Steps to Maintain Coverage that you will receive in your official Approval Welcome Kit when your warranty is activated and keep your warranty compliant.



# INDUSTRY-LEADING COVERAGE OF YOUR VALUABLE EQUIPMENT INVESTMENTS!

The best warranty program of its kind in agriculture and forestry, the Cenex Total Protection Plan® covers specified components and injection system parts of new agricultural and forestry equipment for up to 10 years or 10,000 hours.

Engine, transmission and injection pump coverage can be expanded from 9 years/9,000 hours to 10 years/10,000 hours when approved Cenex® Ruby Fieldmaster® Premium Diesel Fuels, purchased from an authorized distributor, are used exclusively together with Cenex lubricants. Plus, get 10 years/10,000 hours of coverage when you use Maxtron® lubricants.

## NEW EQUIPMENT COVERAGE

### AGRICULTURAL EQUIPMENT:

#### Tractors (25+ horsepower) and telehandlers

Component	Covered Fluid	Coverage Term
Diesel Engine	Superlube TMS® or Superlube 518®	9 years/9,000 hours**
	Maxtron® DEO or Maxtron® Enviro-EDGE®	10 years/10,000 hours
Diesel Injection Pump*	Cenex® Ruby Fieldmaster® products up to B15	9 years/9,000 hours**
Diesel Injectors*	Cenex® Ruby Fieldmaster® products up to B15	5 years/5,000 hours
Trans/Hyd/ Final Drive	Qwiklift® HTB®, BioMax™ THF, Power Trans Fluid or Circle3® STOU Fluid	9 years/9,000 hours**
	Maxtron® THF+ or Maxtron® Power Transmission Fluid MV	10 years/10,000 hours
Hydrostats	Maxtron® THF+	10 years/10,000 hours
Hydraulics	Qwiklift® HTB®	9 years/9,000 hours**
	Maxtron® THF+	10 years/10,000 hours
Differential/Hubs	Maxtron® GL or MP Gear Lube	6 years/6,000 hours

\*Cenex Total Protection Plan® for these Components is available only through authorized Cenex® Ruby Fieldmaster® Distributors.

### AGRICULTURAL EQUIPMENT OTHER THAN TRACTORS AND TELEHANDLERS:

#### Combines, harvesters, sprayers, mower conditioners, bale wagons, hay cruisers, swathers, crop cruisers, cotton pickers/strippers and windrowers

Component	Covered Fluid	Coverage Term
Diesel Engine	Superlube TMS® or Superlube 518®	9 years/9,000 hours**
	Maxtron® DEO or Maxtron® Enviro-EDGE®	10 years/10,000 hours
Diesel Injection Pump*	Cenex® Ruby Fieldmaster® products up to B15	9 years/9,000 hours**
Diesel Injectors*	Cenex® Ruby Fieldmaster® products up to B15	5 years/5,000 hours

\*Cenex Total Protection Plan® for these Components is available only through authorized Cenex® Ruby Fieldmaster® Distributors.

**\*\*Note:** The term of the Cenex Total Protection Plan® for all Components of the above Agricultural Equipment (except Differential/Hubs and Diesel Injectors) will be extended to 10 years/10,000 hours if Buyer uses exclusively both a lubricant product listed in the Covered Fluid column above and Cenex® Ruby Fieldmaster® Premium Ag Diesel Fuel in such Agricultural Equipment.

### STATIONARY AGRICULTURAL EQUIPMENT

Component	Covered Fluid	Coverage Term
Diesel Engine	Superlube TMS®, Superlube 518®, Maxtron® DEO or Maxtron® Enviro-EDGE®	4 years/8,000 hours
Diesel Injection Pump*	Cenex® Ruby Fieldmaster® products up to B15	4 years/8,000 hours
Diesel Injectors*	Cenex® Ruby Fieldmaster® products up to B15	4 years/8,000 hours
Natural Gas/LP Engine	Irriflex®, NGE0, Maxtron® PCMO or Auto Gold®	3 years/7,000 hours

\*Cenex Total Protection Plan® for these Components is available only through authorized Cenex® Ruby Fieldmaster® Distributors.

### FORESTRY EQUIPMENT:

#### Forwarders, slashers, chippers, delimiters, collectors and choppers

Component	Covered Fluid	Coverage Term
Diesel Engine	Superlube TMS®, Maxtron® DEO or Maxtron® Enviro-EDGE®	4 years/6,000 hours

**Note:** Operator must exclusively use both a Cenex® brand engine oil product and a Cenex® brand transmission/hydraulic fluid listed in the Covered Fluid column above to be eligible for the Cenex Total Protection Plan® on Forestry Equipment.



## NEW EQUIPMENT APPLICATION AND APPROVAL PROCESS

### NEW EQUIPMENT WARRANTY

#### **Application Qualifiers**

NEW Agricultural Equipment:

- Has a diesel engine with 25 horsepower or greater
- Has less than 400 hours of service
- Is no more than six months old from date of acquisition

Stationary Agricultural Equipment:

- Has less than 750 hours of service
- Is no more than 60 days from acquisition

#### **Application Process**

Follow these three easy steps to enroll equipment in the New Equipment Warranty.

1. Complete and sign the New Equipment Warranty Application and Agreement of Responsibility form (the “Application and Agreement”) at the back of this booklet.
2. Work with your authorized distributor to submit the Application and Agreement, plus the warranty fee of \$299, to CHS for processing. As the warranty applicant, payment must come from you. CHS reserves the right, in its sole discretion, to approve or disapprove any Application and Agreement submitted for approval.
3. CHS will review your Application and Agreement and notify you if it is approved by sending you an Approval Welcome Kit detailing your coverage and containing tools to assist you in maintaining your warranty coverage.

### WARRANTY TRANSFER

#### **Transferring Coverage**

Existing coverage can be transferred to a new owner provided that all prior Operator responsibilities have been fulfilled. Transfer request must be made within 30 days of acquisition of the transferred equipment. Coverage is limited to the original warranty term.

Contact your authorized Cenex distributor to begin the transfer process.

## WARRANTY PROTECTION YOU CAN'T GET ANYWHERE ELSE!

The only program of its kind in agriculture, the Cenex Total Protection Plan® Used Equipment Warranty covers specified components and injection pump parts of covered agricultural tractors, combines, cotton pickers/ strippers and telehandlers up to 8 years or 8,000 hours.

The Cenex Total Protection Plan Used Equipment Warranty is available through authorized Cenex® Distributors.

### USED EQUIPMENT COVERAGE

#### DIESEL ENGINE AND/OR INJECTOR PUMP WARRANTY COVERAGE AVAILABLE FOR TRACTORS (25+ HORSEPOWER), COMBINES, COTTON PICKER/ STRIPPERS AND TELEHANDLERS

Component	Covered Fluid	Coverage Term
Diesel Engine	Maxtron® Enviro-EDGE®, Maxtron® DEO, Superlube TMS® or Superlube 518®	8 years/8,000 hours
Diesel Injection Pump* Only	Cenex® Ruby Fieldmaster® products up to B15	8 years/8,000 hours

\*Cenex Total Protection Plan® for these Components is available only through authorized Cenex® Ruby Fieldmaster® Distributors. Engine-only coverage can be available if Cenex® fuel is not available.

#### EXPANDED COMPONENT COVERAGE WARRANTY AVAILABLE FOR TRACTORS (25+ HORSEPOWER) AND TELEHANDLERS

Component	Covered Fluid	Coverage Term
Diesel Injectors*	Cenex® Ruby Fieldmaster® products up to B15	5 years/5,000 hours
Diesel Injection Pump*	Cenex® Ruby Fieldmaster® products up to B15	8 years/8,000 hours
Trans/Hyd/ Final Drive	Maxtron® THF+, Maxtron® Power Transmission Fluid MV, Power Transmission Fluid, Qwiklift® HTB®, BioMax™ THF or Circle3® STOU Fluid	8 years/8,000 hours
Hydrostats	Maxtron® THF+	8 years/8,000 hours
Hydraulics	Maxtron® THF+ or Qwiklift® HTB®	8 years/8,000 hours
Differential/ Hubs	Maxtron® GL or MP Gear Lube	6 years/6,000 hours

\*Cenex Total Protection Plan® for these Components is available only through authorized Cenex® Ruby Fieldmaster® Distributors.

#### Coverage Length

Equipment is covered until it reaches specified years in service from date of manufacture or it accumulates specified hours, whichever occurs first.

*For example, for 8 years/8,000 hours of coverage, if your equipment has accumulated 2 years/ 1,400 hours, the remaining coverage is 6 years or 6,600 hours.*

**IMPORTANT:** The used equipment protection plan requires two, approved LubeScan® oil analysis fluid samples within 24 months to verify equipment is in good condition before the plan is activated.

**Please note:** The use of Cenex® Ruby Fieldmaster® within the protection plan includes the use of Cenex® Ruby Fieldmaster® Seasonally Enhanced and Cenex® Wintermaster®.

#### Winter-blending Ruby Fieldmaster®:

When #1 Ruby Fieldmaster® is available, Cenex Total Protection Plan® holders are required to use this product when blending with Ruby Fieldmaster® for seasonal purposes. The use of an untreated #1 distillate with Ruby Fieldmaster® may void your coverage.



## USED EQUIPMENT APPLICATION AND APPROVAL PROCESS

### USED EQUIPMENT WARRANTY

#### Application Qualifiers

USED Equipment is defined as equipment that:

- Does not meet the requirements of “New”
- Has less than 8 years and 8,000 hours of service
- Has a minimum of 25 horsepower (diesel only)

Coverage Levels Eligibility:

#### Used Equipment **Basic Coverage:**

Up to 8 years old from date of manufacture or 8,000 hours, whichever comes first

#### Used Equipment **Expanded Coverage:**

Up to 2 years old from date of manufacture or 2,000 hours, whichever comes first

#### Application Process

1. Complete and sign the Used Equipment Warranty Application and Agreement of Responsibility (the “Application and Agreement”) at the back of this booklet.
2. Arrange for an Authorized Cenex® Distributor representative from your authorized dealer to:
  - Assist you completing an identification inspection of the equipment to be covered, and include a LubeScan® engine oil sample for submission to CHS. If applicable, also submit LubeScan samples for the transmission and/or hydraulics if applying for Expanded Coverage. LubeScan Used Oil Analysis sampling kits are available from your Authorized Cenex Distributor.
  - Verify date of manufacture of equipment and accumulated operating hours.
3. Work with your Authorized Cenex Distributor representative to submit the Application and Agreement and a check for the warranty fee of \$399. As the warranty applicant, payment must come from you. In addition, work with your representative to submit the engine oil sample to CHS.

CHS reserves the right, in its sole discretion, to approve or disapprove any Application and Agreement submitted for approval.

4. CHS will test and analyze the fluid sample. If no evidence of mechanical defects in lubricated-covered components is detected, the equipment will begin a 100-hour screening period during which the equipment Operator agrees to:
  - Replace all applicable covered fluids with approved Cenex products.
  - Operate the covered equipment in a normal fashion, in normal operating conditions.
  - Submit a second engine oil and/or transmission/hydraulic fluid sample(s) (following the 100-hour screening period) to CHS for analysis.
5. CHS will review the second set of fluid samples along with the Application and Agreement and notify you if the second set of fluid samples are approved by sending you an Approval Welcome Kit detailing your coverage and tools for maintaining your warranty coverage. A Used Equipment Warranty number will be assigned for use in identifying oil samples and to expedite related correspondence.

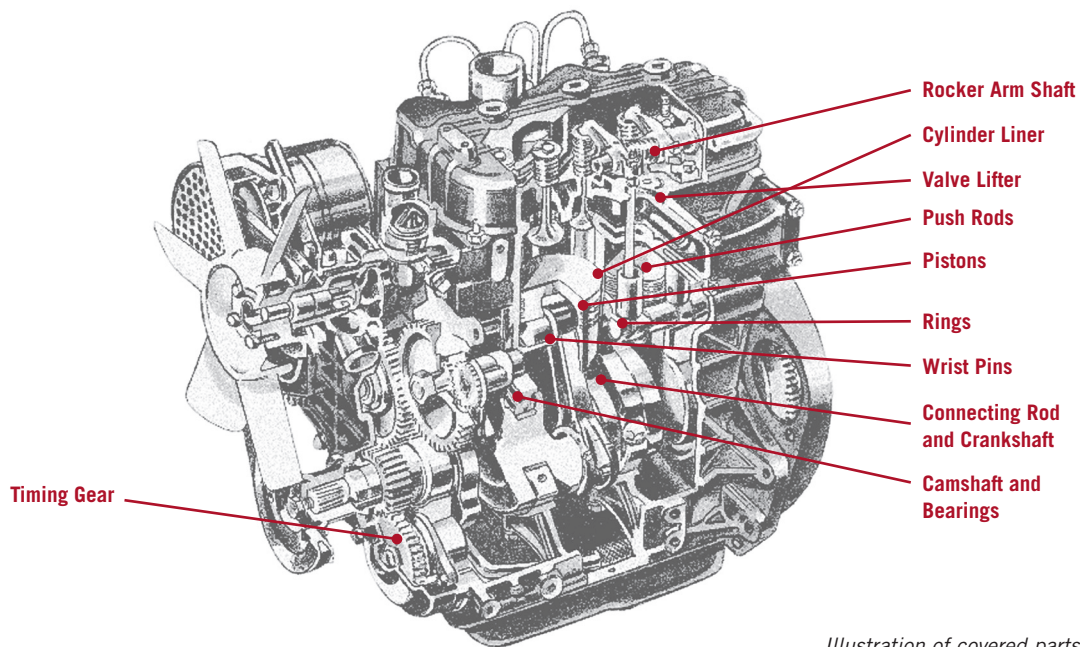
## THE CENEX TOTAL PROTECTION PLAN® KEEPS EQUIPMENT RUNNING SO YOU CAN KEEP WORKING

Through the Cenex Total Protection Plan®, CHS will pay costs, including installation and labor, to repair or replace faulty parts that fail during normal use.

### **DIESEL ENGINE**

Coverage limited to the internal lubricated parts.

**Not Covered:** Cylinder head assembly, valves/valve guides, oil pump and oil cooler, engine block, oil seals, oil filters, turbocharger and non-lubricated parts



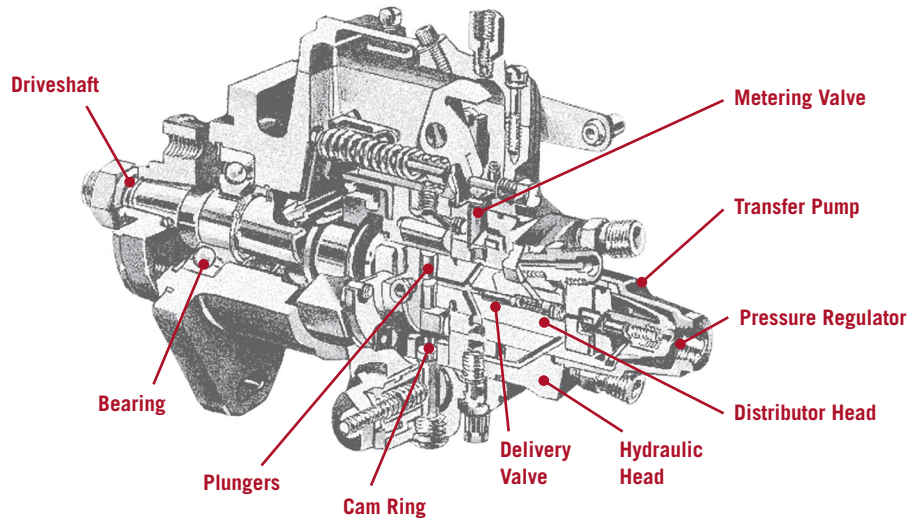
*Illustration of covered parts.*



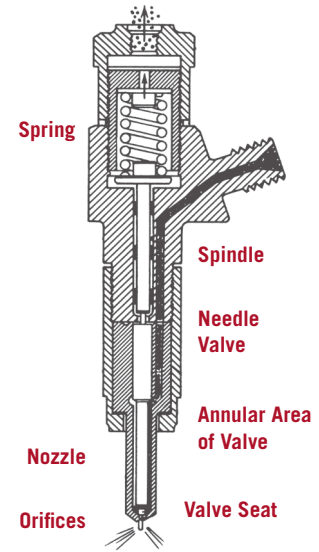


**DIESEL FUEL INJECTION PUMP AND INJECTORS**

**Not Covered:** Fuel line and filters



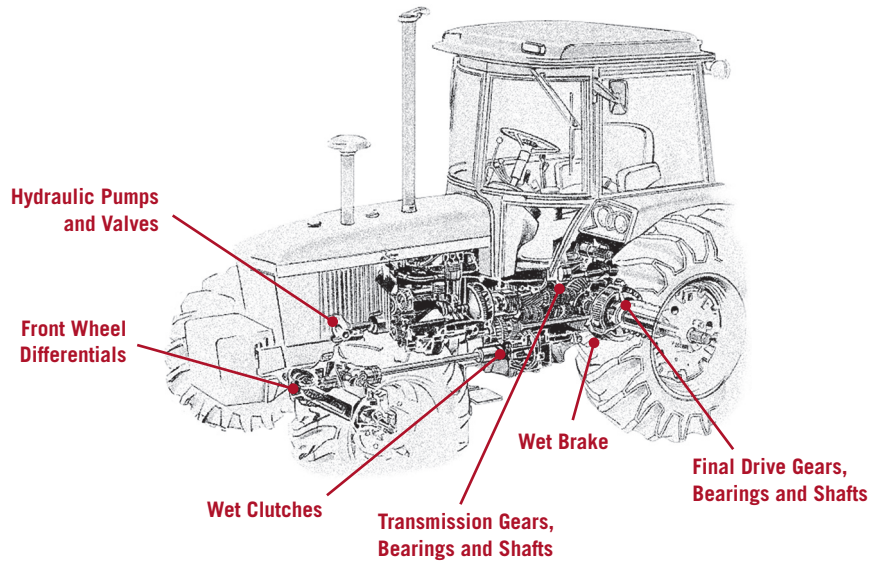
*Illustration of covered parts.*



*Illustration of covered parts.*

**TRANSMISSION, HYDRAULIC, FINAL DRIVE, DIFFERENTIAL/HUBS**

**Not Covered:** Auxiliary equipment, including added implements and their associated valves and pumps; bogie and idler wheels; reaction/torsion arms; hydraulic lines; couplers; and cab, seating, and steering hydraulics



*Illustration of covered parts.*



## FREQUENTLY ASKED QUESTIONS

---

### 1. How do I sample my oil?

A: Sample the oil at the time of draining, while the unit is still warm. A sample can be obtained by letting some (approximately 1 quart) of the oil out of the drain plug, then catch it with the sample bottle. Fill the sample bottle and replace cap immediately. Please use the pre-printed ALS bottle labels from your Approval Welcome Kit, or a Sample Identification Form (included with official LubeScan® sample kits available from your authorized Cenex® distributor) when submitting samples to ALS Tribology to ensure that your LubeScan sample is processed correctly. Mail a labeled sample container to ALS Tribology lab using a black mailing canister and/or mailing sleeve to: LubeScan, 935 Sunshine Road, Kansas City, KS, 66115-1122.

### 2. What are the sample requirements?

A: Used oil samples are required for each warranted compartment per the frequency listed in your official warranty Agreement, at the time of making a claim under the warranty, or at any time as requested by CHS. Samples must be submitted in official LubeScan sample kit containers available from your local authorized Cenex distributor.

### 3. Can the warranty transfer?

A: Existing coverage can be transferred to a new owner provided that all prior Operator responsibilities have been fulfilled. A transfer request must be made within 30 days of acquisition of the transferred equipment. Coverage is limited to the original warranty term.

### 4. How do I make a claim?

A: If a covered part shows signs of failure, you should notify your authorized Cenex distributor immediately. **A sample of the relevant Cenex lubricant must be sent through the LubeScan process for evaluation. If applicable, a fuel sample must be submitted in an approved fuel test kit, along with proofs-of-purchase from an authorized Cenex® Ruby Fieldmaster® distributor.** CHS must approve the service center and give authorization prior to repair or replacement of the internal part(s). After the service has been completed, you will submit the invoice to CHS for payment.

The warranty holder must submit an invoice for the claim within 90 days from final invoice date or claim faces possible rejection. Claims submitted after six months past final invoice date are subject to CHS review and possible rejection.

### 5. Do I have to use both Cenex lubricants and Cenex Ruby Fieldmaster Premium Diesel Fuel? What if one is not available in my area?

A: No. Lubricants-only and Fuels-only coverage options are available in certain geographical areas for both new and used equipment. Work with your authorized Cenex distributor to learn more about obtaining Cenex Total Protection Plan® coverage in these unique situations.

*"It's great protection in case you have a catastrophe with your engine or transmission. The lubricants work really well and I get helpful, knowledgeable service. I recommend Cenex® premium diesel fuel, too, because you get plenty of power and good starts in hot or cold weather, without fuel pump or injector issues."*

— Larry Andersen, Oakes, N.D.

---

*"I recommend the Cenex Total Protection Plan® – it's not hard to implement, it gives you confidence, and it's well worth it. We've used Cenex® lubricants and fuels for more than 20 years and never had any reason to change, and the team at CHS Northern Plains is really good to work with."*

— Tony Neu, Ashley, N.D.

---

*"Cenex® lubricants are quality products, backed by good service and a warranty you can trust. Having up to 10 years or 10,000 hours of coverage is outstanding, especially in today's economy. We're also using a true premium diesel with all the additives needed to keep fuel injectors and pumps running smoothly. I'd recommend this program to anybody."*

— Dean Schwab, Brayton, Iowa

---

*"I've used Cenex® products for more than 10 years without any problems, and I get good service from CPI/Mid-Nebraska Lubricants. The Cenex Total Protection Plan® is an excellent backup warranty program for both new and used equipment."*

— Steve Bittfield, Kenesaw, Neb.

---

*"With the recent change in the market and economy, I have to run my equipment longer. I know Cenex® products and the Cenex Total Protection Plan® provide the protection I need. We have all our equipment on the program. We can't afford not to. This a no-brainer."*

— Mike Horstmann, Britt, Iowa







## CENEX® PRODUCTS COME THROUGH FOR YOU

You can count on Cenex® products to keep your equipment running at peak performance, even under the toughest conditions. Independent tests show that using Cenex premium lubricants with premium fuels extends engine life and reduces the need for repairs.

Cenex lubricants are custom formulated to meet or exceed all major manufacturers' requirements, and they are industry certified to meet the demands of farming. Cenex Ruby Fieldmaster® Premium Diesel Fuel is also specially formulated for agriculture, and proven to deliver 4.5% more power, quicker starts and better fuel economy.



Visit [cenex.com/tpp](http://cenex.com/tpp) to view testimonials and learn more about great coverage and great products. Then, head to [cenex.com/locations](http://cenex.com/locations) to find a distributor near you!

083TPP17-107  
© 2017 CHS Inc.

A BRAND OF 



Learn more about great coverage and great products by visiting [cenex.com/tpp](http://cenex.com/tpp)

